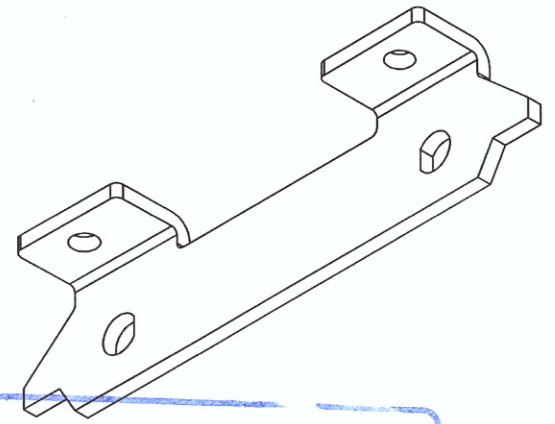
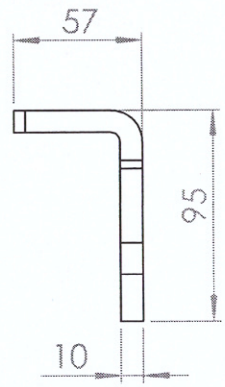
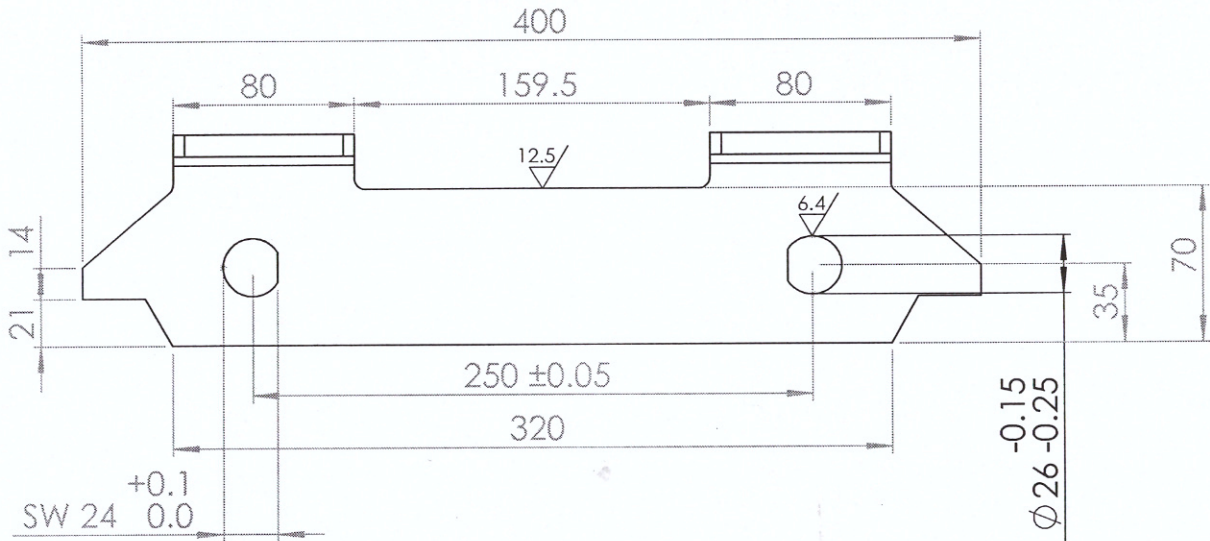


6 5 4 3 2 1



کارخانجات سیمان کرمان
آرشیو نقشه کشی
DO NOT SCALE DRAWING

NOTE:
1 - link to be hardness 29 -34 HRC on surface in depth of 0.75 - 1.5 mm

UNLESS OTHERWISE SPECIFIED: DIMENSIONS ARE IN MILLIMETERS			SURFACE FINISH: TOLERANCES: LINEAR: DIN ISO 2768-1 M ANGULAR: DIN ISO 2768-1 M			DEBURR AND BREAK SHARP EDGES		REVISION		
						Customer: Kerman Cement Co.				
DRAWN A.R.Behzad			SIGNATURE			DATE			TITLE:	
CHK'D H.R.Sadeghi									ZANJIRSAZAN	
APPVD F.Sadeghi									NEGIN SANAT	
MFG									Design & Manufacturing Of Material Handling System	
Q.A						MATERIAL:			DWG NO.	
						42CrMo4 (DIN 1.7225)			Holder Lock Outer Link	
						WEIGHT:			SCALE:1:1	
									SHEET 1 OF 1	

D
C
B
A

D
C
B
A

6 5 4 3 2 1