

6 5 4 3 2 1

D

C

B

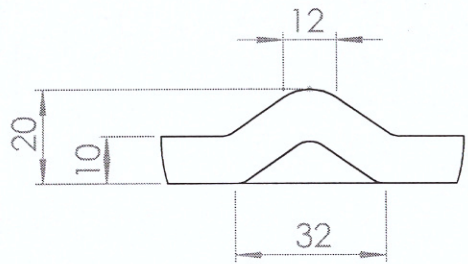
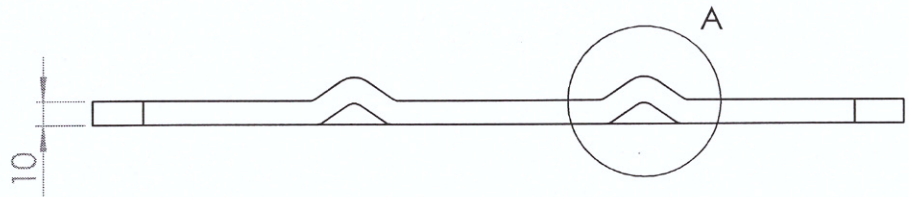
A

D

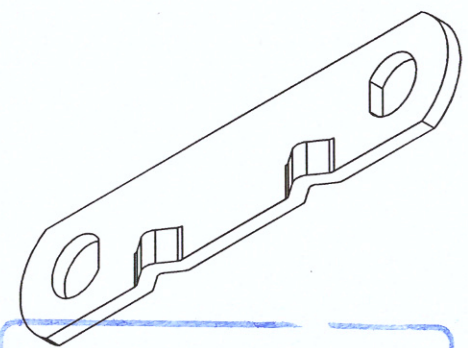
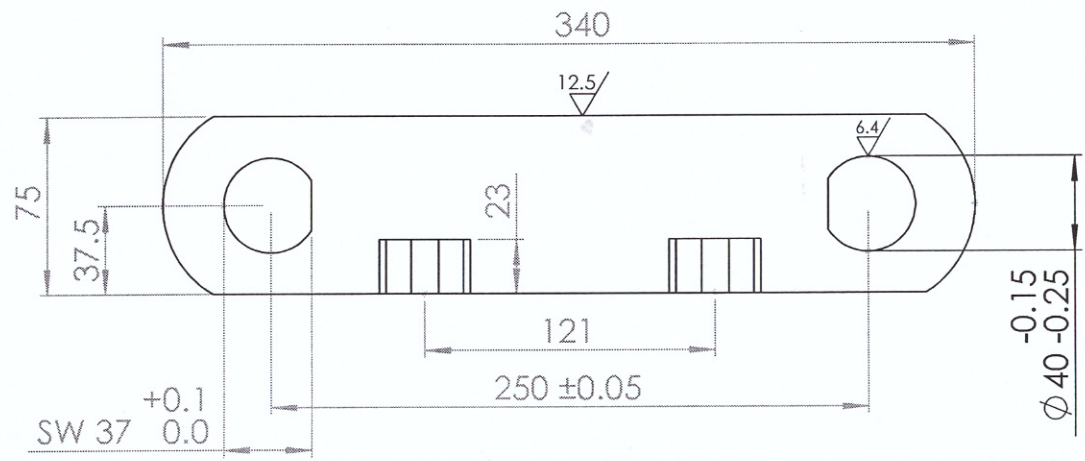
C

B

A



DETAIL A
SCALE 2 : 3



ارخانجات سیمان کرمان
رشیو دفتر فنی
DO NOT SCALE DRAWING REVISION

NOTE :
1 - link to be hardness 29 -34 HRC on surface in depth of 0.75 - 1.5 mm

UNLESS OTHERWISE SPECIFIED: DIMENSIONS ARE IN MILLIMETERS
SURFACE FINISH: TOLERANCES: LINEAR: DIN ISO 2768-1 M ANGULAR: DIN ISO 2768-1 M
DEBURR AND BREAK SHARP EDGES

Customer: Kerman Cement Co.

	NAME	SIGNATURE	DATE
DRAWN	A.R.Behzad		
CHKD	H.R.Sadeghi		
APPV'D	F.Sadeghi		
MFG			
Q.A			

MATERIAL: 42CrMo4 (DIN 1.7225)
WEIGHT:

TITLE:  **ZANJIRSAZAN**
NEGIN SANAT
Design & Manufacturing Of Material Handling System

DWG NO. Lock Inner Link A4
SCALE: 1:1 SHEET 1 OF 1

6 5 4 3 2 1